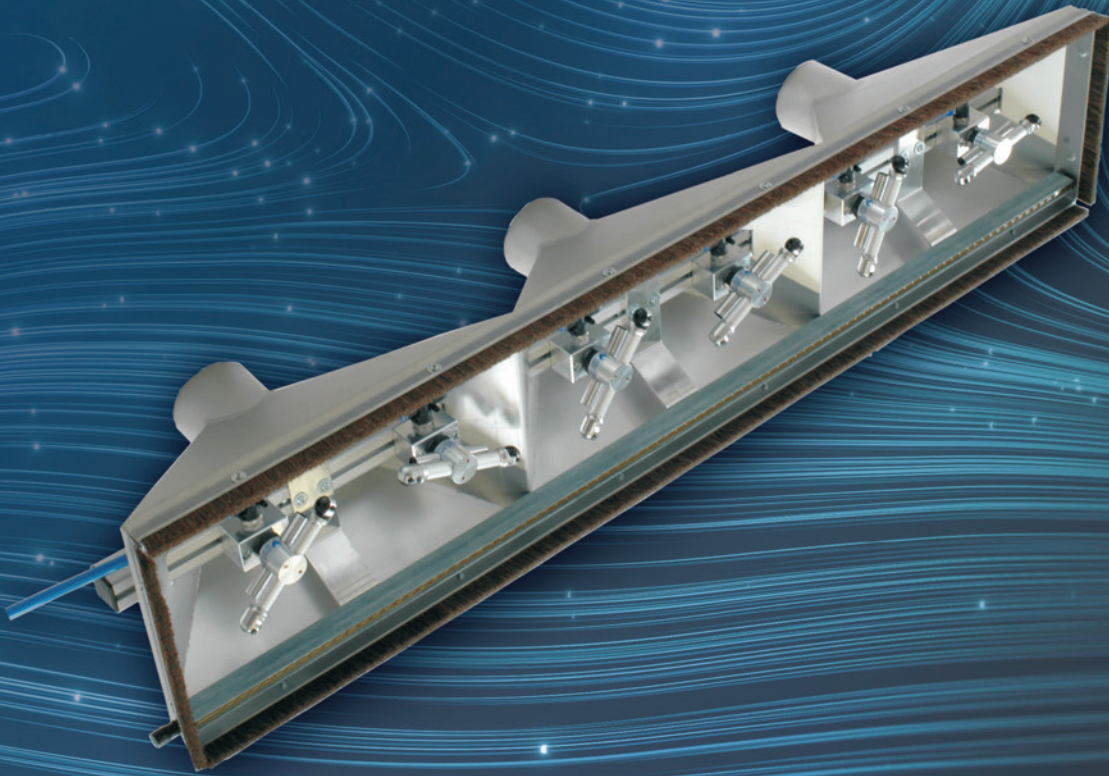


DISCHARGING



eltex

electrostatic
innovations

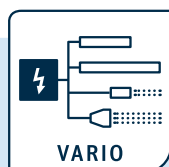
> Static Combi Cleaner SCC

Cleaning unit with rotating ion blower nozzles

The combination of Eltex ionizing bars and speed-controlled, pressure-independent rotating nozzles with pulsating effect achieves maximum cleanliness on smooth, structured and three-dimensional surfaces.

Advantages at a glance

- > non-contacting cleaning
- > highly effective electrostatic discharge of surfaces and particles
- > Depth effect with structured and 3D-surfaces
- > pressure-independent control of the rotating nozzles
- > in combination with the POWER IONIZER also suitable for ESD applications



Suitable for connecting one or more Eltex discharge components:



POWER IONIZER



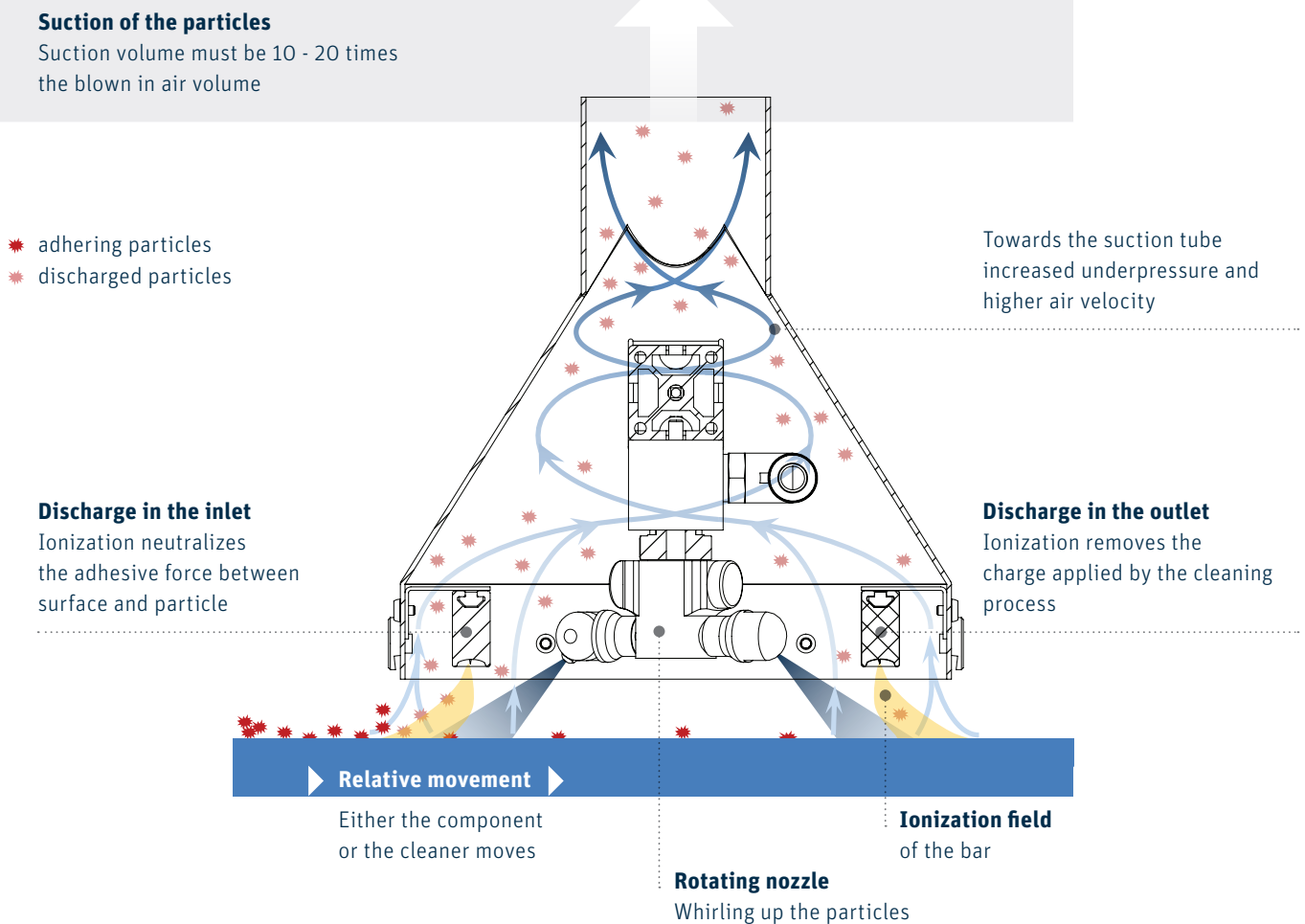
BASE IONIZER ES60



COMPACT IONIZER ES24

Static Combi Cleaner SCC

Functional principle



Technical information

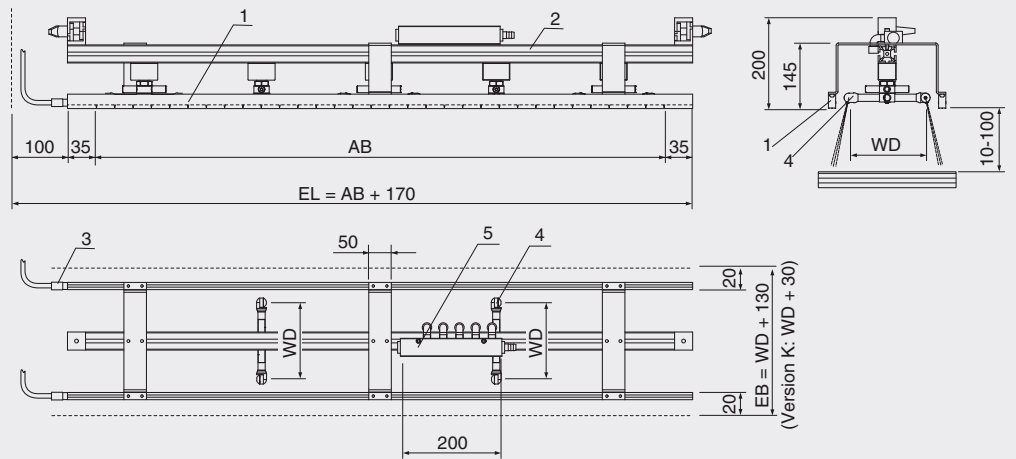
Weight	without suction hood	approx. 9 kg/m							
	with suction hood	approx. 12 kg/m							
Required air pressure	2,5 – 10 bar, dry, oil-free, filtered – Filter fineness < 20µm								
Air consumption per nozzle (speed controlled, 6 bar)	Ø-nozzle insert mm	0.6	0.8	1.0	1.2	1.4	1.6	1.8	2.0
	NI/min.	79	101	150	201	246	313	392	484
Nozzle speed controlled nozzle	approx. 600 U/min								
Compressed air connection	G 1/2", or hose grommet NW13								
Required suction power (option suction enclosure)	min. 600 m3/h per suction nozzle, vacuum pressure min. 2500 Pa (-0,025 bar)								
Operating ambient temp.	0 ... 80 °C, max. 70 % RH, non dewing								
Speed sensor	option								

Static Combi Cleaner SCC

Dimensions without suction hood

Main dimensions (L x W x H)
EL mm x EB mm x 200 mm

EL = Installation length
AB = Working width
WD = effective nozzle diameter
EB = Installation width



Dimensions with suction hood

Main dimensions (L x W x H)
EL mm x 300 mm x 316 mm

EL = Installation length
AB = Working width
WD = Effective nozzle diameter

