

DISCHARGING



eltex

electrostatic
innovations



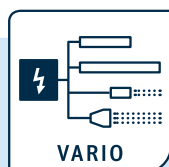
EXTRA – Distributors and Extension cable

Accessories for Eltex discharging

The versatile EXTRA's distributors and extension cables simplify the laying and installation of the Eltex discharging components.

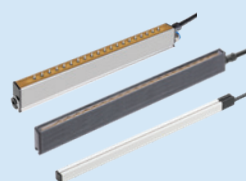
Advantages at a glance

- › Reduction of cables during installation
- › robust design
- › Cable extension



VARIO

Suitable for connecting
one or more Eltex
discharge components:



Discharging bars



Ion blower nozzles



Ionen blower guns

➤ Distributor ESV61 / ESVY61 Extension cable KE/_B

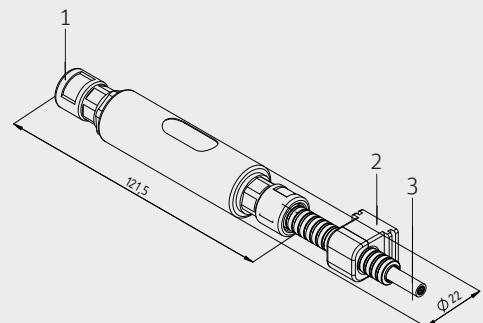
Technical Information

Supply voltage	max. 6 kV AC, max. 250 Hz
Operating ambient temp.	0...+70°C (+32...+158°F)
Storage temperature	max. 80 % r.h., non-dewing
High voltage connection	1, 2 or 4 pcs., plug-type
Enclosure	ESV61 / ESVY61 Plastic KE/_B Aluminium
Dimensions	see figures
Weight	0.5 – 3 kg depending on version



➤ Extension cable KE/_B

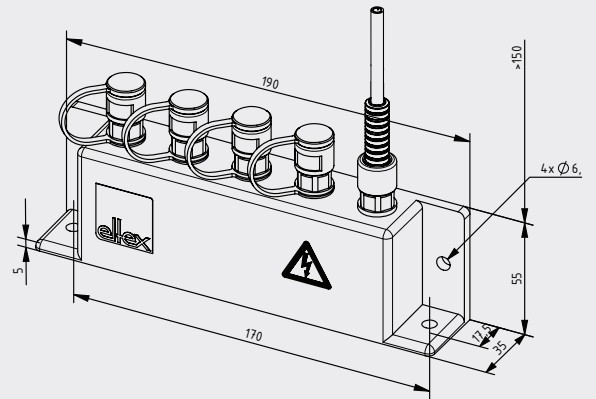
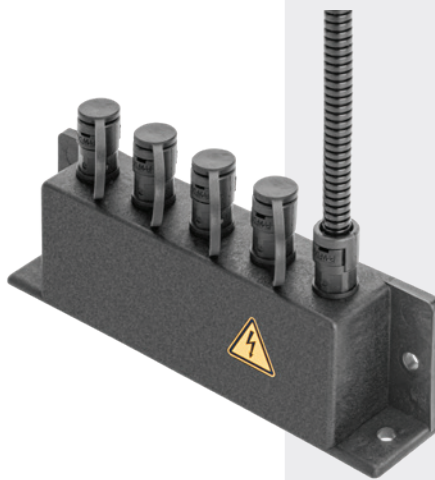
Dimensions



- 1 Socket
- 2 Mounting clip (2x included in delivery)
- 3 High voltage cable, lead-in cable

Distributor ESV61

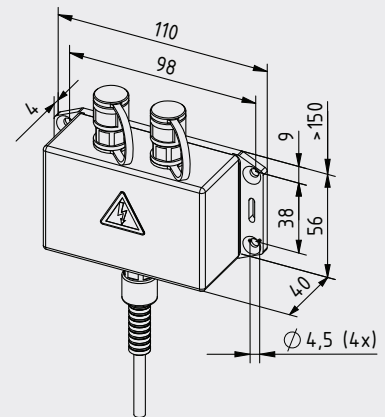
Dimensions



Z-112134 by

Distributor ESVY61

Dimensions



Z-113530ay