

DISCHARGING



eltex

electrostatic
innovations



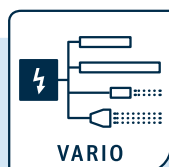
lineCLEAN SCC-C

Cleaning unit with two mounted ion blower nozzles

The highly effective ionization cleaning station for the non-contact removal of troublesome dust and dirt deposits on three-dimensional or structured surfaces.

Advantages at a glance

- › easy to open for cleaning
- › optimized, compressed air-saving flow control
- › robust design
- › easy installation and integration into existing production lines
- › Discharge technology with high range and excellent discharge



Suitable for connecting
one or more Eltex
discharge components:



PRO IONIZER ES61



BASE IONIZER ES60

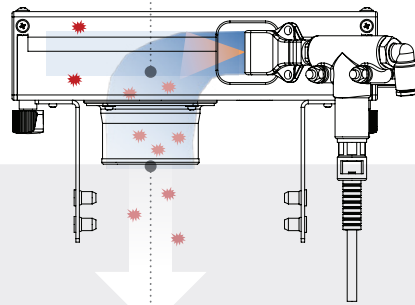


COMPACT IONIZER ES24

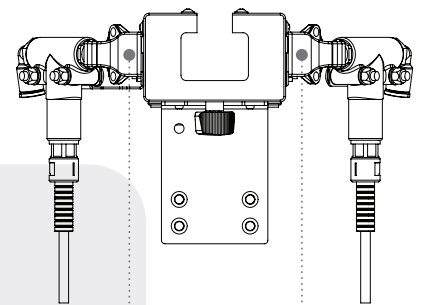

lineCLEAN SCC-C




Functional principle

Compressed air/suction flow



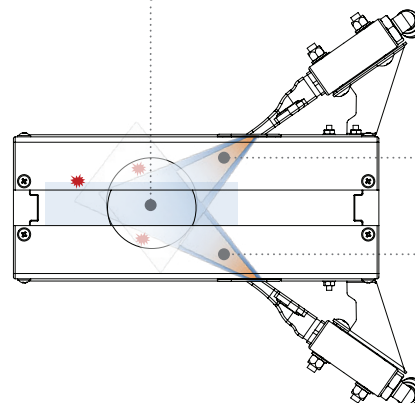
C-profile with inlet and outlet opening



-  adhering particles
-  discharged and sucked particles

Suction openings

Ion blower nozzles

Relative movement
of the component through the cleaner

Ionization fields

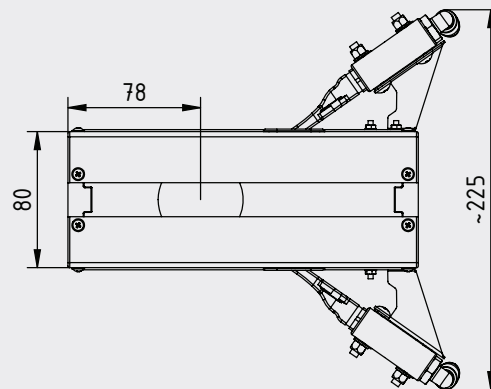
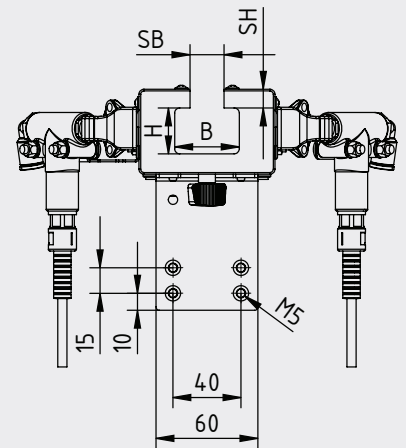
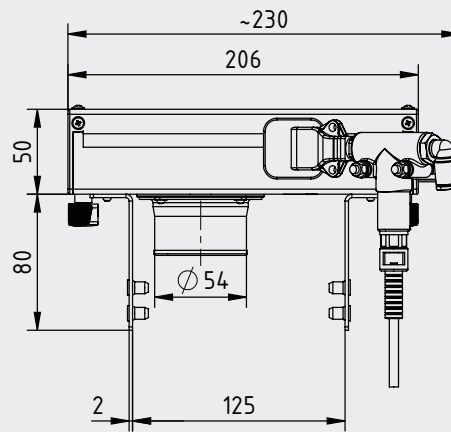
Technical information

Bar element	plastic PA6.6, 30 % GF
Emission tips	tungsten
Operating ambient temp.	0 ... +80 °C with compressed air, 0 ... +60 °C without compressed air
Ambient temperature	max. 70 % RH, non dewing
Weight	approx. 1.05 kg
Operating voltage	max. 5 kV AC
Short-circuit/tip	0.05 mA
Contact protection	contact protected according to EN 61140
Air connection	quick plug coupling NW8
Required air pressure	0,4 – 6 bar, dry, oil-free, filtered – Filter fineness < 20µm
Air consumption	Air consumption for both nozzles Nm ³ /h
	0.4 bar 3.7 Nm ³ /h
	0.6 bar 6.3 Nm ³ /h
	0.8 bar 8.0 Nm ³ /h
	1.0 bar 9.3 Nm ³ /h
Following Standards are fulfilled	ANSI-ESD-STM3.1, RCJS-TR-5-4, JIS C 61340-4-7, IEC 61340-4-7 ED.2 Ionbalance*

* In connection with the PRO IONIZER ES61 power supply and defined parameters



Dimensions



Main dimensions (L x W x H)
230 mm x 225 mm x 130 mm

Inlet/outlet opening variable
SW = Slot width
SH = Slot height

