

CHARGING

eltex

electrostatic
innovations



Point charging bar R23ATR

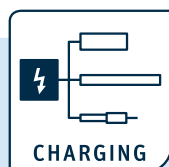
Special bar for edge zone fixation and narrow installation spaces

Adjustable tip geometry for targeted application of the desired charge. This configuration is advantageous, for example, for adhering small surfaces (labels).

Suitable for edge zone fixation in the film and foil production.

Advantages at a glance

- Point charging, even in narrow spaces
- particularly suitable for edge zone fixation
- Tips individually replaceable



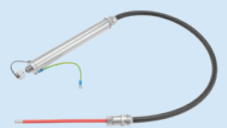
Suitable for connecting one or more Eltex charging components:



POWER CHARGER PC



HIGH-VOLTAGE DISTRIBUTOR PCV/4



EXTENSION CABLE KA/YY



Point charging bar R23ATR

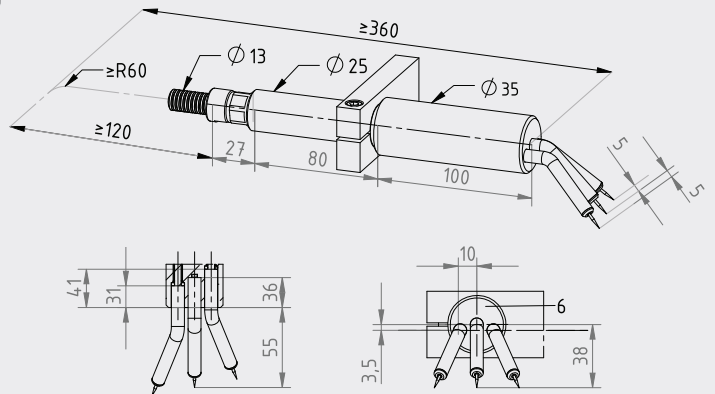
Technical Information

Bar element	PU, UL 94 V-0
Emission tips	R23ATR max. 3 emission tips R23ATR11 1 emission tip R23ATR13 1 emission tip
Ambient operating temp.	exchangeable, adjustable, with insulating coating, current-limited by separate resistors 0...+120 °C (+32...+248 °F) in emission tips area 0...+70 °C (+32...+158 °F) on bar element
Operating voltage	R23ATR max. 30 kV DC R23ATR11 max. 30 bzw. 60 kV DC
Dimensions	see figure

Dimensions



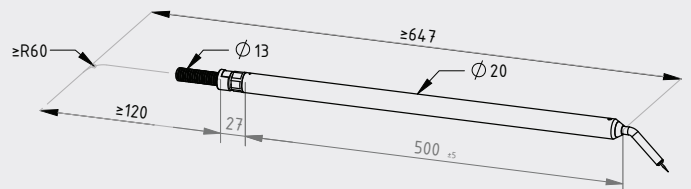
R23ATR



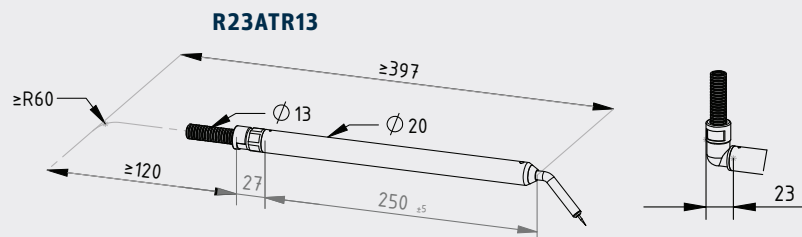
Z-116463ay_2



R23ATR11



Z-116539cy_1



Z-116539cy_2