

eltex

electrostatic
innovations

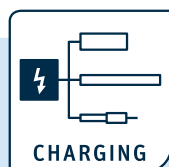
> Charging bar R120

Compact design, entry-level model

The particularly small and cost-effective R120 charging bar combines proven Eltex know-how with a favorable price. With its compact dimensions, the R120 is suitable for a wide range of applications.

Advantages at a glance

- > slim bar profile
- > Stainless steel tips
- > Current limiting by resistors



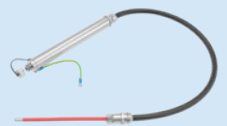
Suitable for connecting
one or more Eltex
charging components:



POWER CHARGER PC



HIGH-VOLTAGE
DISTRIBUTOR PCV/4



EXTENSION
CABLE KA/YY

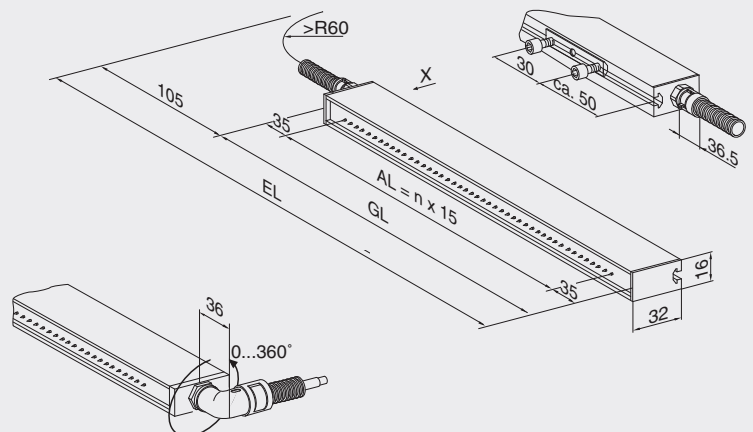


Charging bar R120

Technical Information

Bar element	glass-fibre reinforced plastic GRP
Encapsulating compound	PU, UL-94 V0
Emission tips	stainless steel
Installation material	plastic or metal sliding nuts
Operating ambient temp.	0...+60°C (+32...+140°F)
Ambient temperature	max. 60% RH, non-dewing
Dimensions	16 x 32 mm, max. length 3985 mm
Available active length	15 – 3915 mm in 20 mm steps
Weight	approx. 1 kg/m
Operating voltage	max. 15 kV to max. 60 kV, depending on the insulation
High voltage supply	axial or radial
Approval	depending on version UL

Dimensions



AL = Active length
 GL = Total length
 EL = Installation length
 n = Whole number, depending on active length